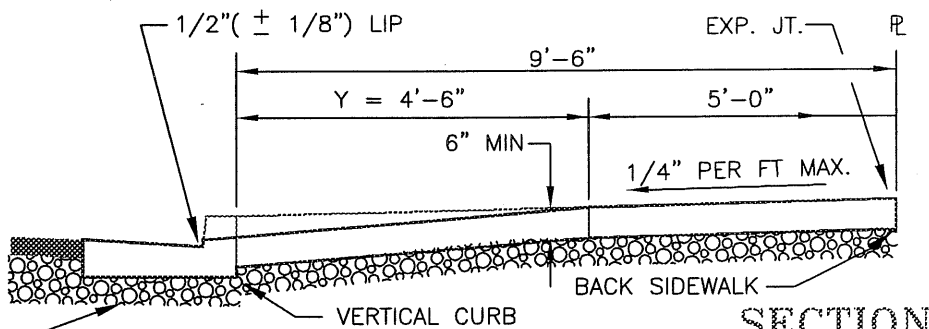
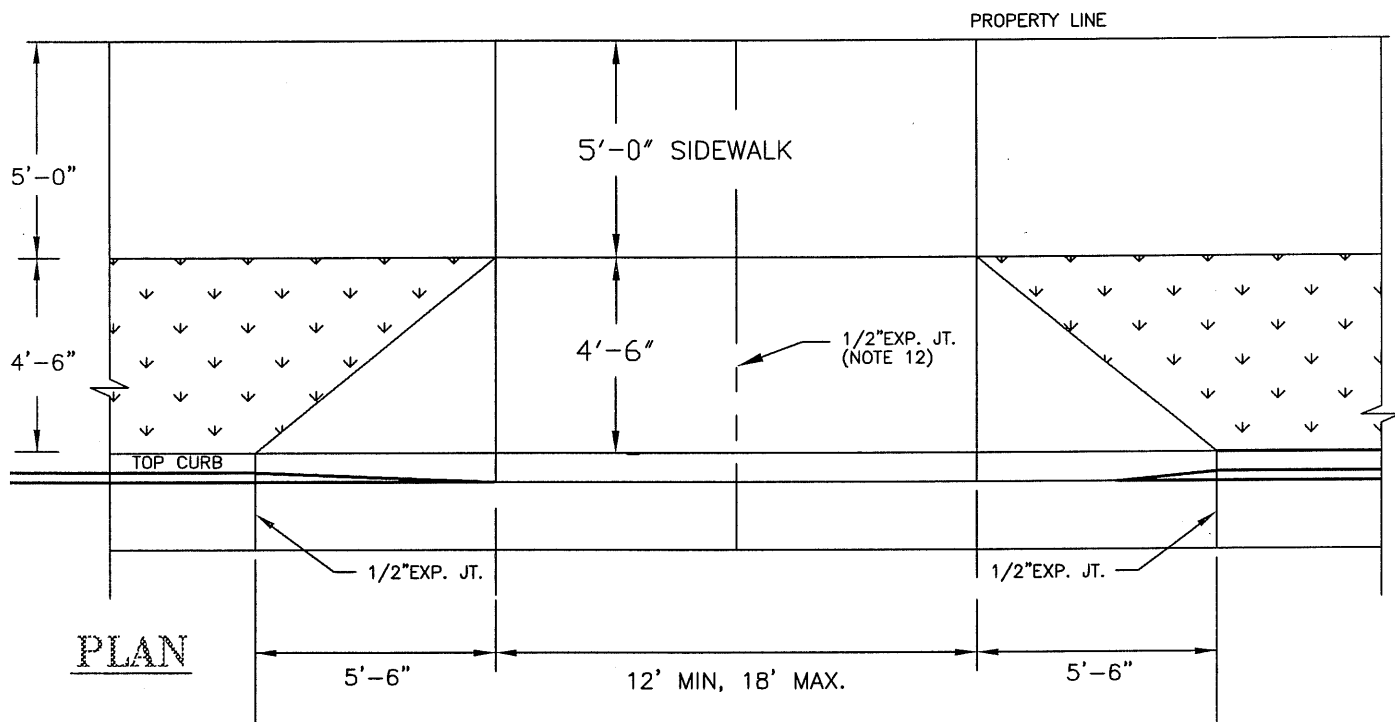


**NOTES:**

1. ALL WORK DONE AND MATERIALS SUPPLIED SHALL CONFORM TO THE STANDARD SPECIFICATIONS FOR PUBLIC WORKS CONSTRUCTION. (GREEN BOOK, LATEST EDITION)
2. ALL CONCRETE SHALL BE PER PAGE 100.00 OF THE CITY OF REDDING CONSTRUCTION STANDARDS.
3. THE AREA INCLUDED WITHIN THE SLOPE OF THE DRIVEWAY SHALL BE GIVEN A HEAVY BROOM FINISH.
4. SCORE LINES SHALL CORRESPOND WITH SCORE LINES IN THE ADJACENT SIDEWALK UNLESS OTHERWISE SPECIFIED.
5. 'Y' SHALL BE MEASURED TO THE STREET EDGE OF THE SIDEWALK, BUT SHALL NOT BE LESS THAN 3 FT.
6. WHERE CURB IS EXISTING AND NO DEPRESSION HAS BEEN PROVIDED, THE CURB SHALL BE SAW CUT AT THE LIMITS OF THE DRIVEWAY OR REMOVED TO THE NEAREST EXPANSION JOINT BEYOND THE FLARE ON EITHER SIDE.
7. SEE PAGE 147.20 OF THE REDDING STANDARDS FOR LOCATION OF DRIVEWAYS AT CURB RETURNS.
8. ALLEY CURB RETURNS MAY BE DEPRESSED AS PART OF THE DRIVEWAY ONLY WHEN APPROVED BY THE ENGINEER.
9. THE MINIMUM LENGTH OF FULL HEIGHT VERTICAL CURB BETWEEN DRIVEWAYS ON THE SAME LOT MAY NOT BE LESS THAN 14 FEET.
10. THE MINIMUM DISTANCE OF FULL HEIGHT VERTICAL CURB BETWEEN DRIVEWAYS ON ADJACENT LOTS SHALL BE 6 FEET.
11. WHERE EXISTING SIDEWALK IS LESS THAN 6 INCHES THICK, THE SIDEWALK SHALL BE SAWCUT AND REMOVED AT THE NEAREST SCORE LINE, OR REMOVE TO THE NEAREST EXPANSION JOINT BEYOND THE FLARE ON EITHER SIDE.
12. EXPANSION JOINTS SHALL BE CONSTRUCTED ON CENTERLINE OF ALL DRIVEWAYS WITH WIDTHS EXCEEDING 25 FEET.
13. TOP OF LIP TO BE TROWELED STRAIGHT AND TRUE.



MIN. 3" CLASS 2 AGG. BASE UNDER CURB SECTION AND DRIVEWAY SLAB

DWG DATE 10-04		SCALE NTS	CITY OF YREKA DEPARTMENT OF PUBLIC WORKS	
		APPROVED BY	NORTH VIEW ESTATES UNIT 2	
		SN 12-27-04	DISCOVERY STREET	
		STEVEN D. NEILL, P.E.	RESIDENTIAL DRIVEWAY	
MARK	DATE	REVISION	DIRECTOR OF PUBLIC WORKS	