

CITY OF YREKA

DEPARTMENT OF PUBLIC WORKS POLICY AND PROCEDURE

WATER METERS

POLICY: WATER METERS:

1. RADIO READ WATER METERS ARE REQUIRED ON ALL NEW WATER SERVICES.

WATER METERS SHALL BE:

1. BADGER BRAND RD-T 5/8" x 3/4" WATER METER OR LARGER
2. BRASS BOTTOM ONLY
3. GALLON REGISTER

RADIO READ TOP SHALL BE:

1. BADGER ORION UNIVERSAL 1 PIT TRANSMITTER WITH DATA PROFILING AND LEAK DETECTION.

WATER METER VALVES AND PIPES:

1. 2 – FORD #FB13-332W BALL VALVES WITH IRON PIPE THREADS TO THE METER
Mueller Brass OK (ONE VALVE FOR EACH SIDE OF THE METER)
2. 1 – TAPPING VALVE #FFB500-3 WITH IRON PIPE MALE THREADS ON BOTH ENDS
Mueller Brass OK

PROCEDURE: INSTALLATION:

1. RADIO READ METERS SHALL BE PURCHASED AND INSTALLED BY THE PROPERTY OWNER / DEVELOPER IN ACCORDANCE WITH THE DEPARTMENT OF PUBLIC WORKS STANDARD DRAWING FOR WATER SERVICE CONNECTIONS.
2. DEPARTMENT OF PUBLIC WORKS STAFF SHALL INSPECT AND APPROVE ALL INSTALLATIONS AND THE INSTALLER MUST CALL THE DEPARTMENT OF PUBLIC WORKS TO ARRANGE FOR AN INSPECTION.
3. THE WATER METER SERIAL/IDENTIFICATION NUMBER SHALL BE COLLECTED BY THE DEPARTMENT OF PUBLIC WORKS AT THE TIME OF INSPECTION.
4. FAILURE TO COMPLY WITH THESE CONDITIONS SHALL BE REASON FOR WATER SERVICE TO BE LOCKED OFF UNTIL ALL CONDITIONS ARE MET.

**CITY OF YREKA
DEPARTMENT OF PUBLIC WORKS**

WATER METER TYPE AND SUPPLIES, SUPPLIERS AND REQUIREMENTS:

THE FOLLOWING WATER METER AND VALVE ASSEMBLY IS REQUIRED

1.)	M E T E R	1 – BADGER RD-T 5/8" X 3/4" WATER METER (brass bottom only / gallon register)	
		ORDER FROM:	BADGER METER, INC. 2250 APOLLO WY #300 SANTA ROSA, CA 1 (707) 575-0700 OR 1 (877) 348-0700
		OR	
		ORDER FROM:	BUDGE MCHUGH 125 WEST FOURTH ST 1 (541) 779-6180 MEDFORD, OR 97501
<u>CONTRACTORS MAY ORDER BY CREDIT CARD, OR SET UP CHARGE ACCOUNT BY CONTACTING THE VENDORS LISTED ABOVE FOR PURCHASE INFORMATION.</u>			

2.)	R A D I O	1 – BADGER ORION UNIVERSAL 1 PIT TRANSMITTER WITH DATA PROFILING AND LEAK DETECTION.	
		ORDER FROM:	BUDGE MCHUGH 125 WEST FOURTH ST 1 (541) 779-6180 MEDFORD, OR 97501
3.)	P A R T S	2 – FORD #FB13-332W BALL VALVES WITH IRON PIPE THREADS TO THE METER Mueller Brass OK (ONE VALVE FOR EACH SIDE OF METER)	
		1 – TAPPING VALVE #FFB500-3 WITH IRON PIPE MALE THREADS ON BOTH ENDS Mueller Brass OK	
		ORDER FROM:	FERGUSON ENTERPRISES, INC 965 MASON WY MEDFORD, OR 97501 1 (866) 861-7041
<u>CONTRACTORS MAY ORDER BY CREDIT CARD , CASH AND CARRY OR SET UP CHARGE ACCOUNT WITH FERGUSON ENTERPRISES, INC BY CALLING THE NUMBER LISTED ABOVE</u>			

WATER METERS AND WATER METER INSTALLATION SHALL COMPLY WITH THE FOLLOWING SPECIFICATIONS:

1. METERS SHALL HAVE GALLON REGISTERS.
2. VALVES SHALL BE INSTALLED ON BOTH SIDES OF THE METER.
3. ALL METERS SHALL HAVE BRASS BOTTOMS .
COSTS FOR THE ABOVE MENTIONED SPECIFICATIONS SHALL BE BORNE BY THE DEVELOPER/OWNER.

CITY OF YREKA
DEPARTMENT OF PUBLIC WORKS
POLICY AND PROCEDURE
WATER METERS BOXES

POLICY

1. Water meters and meter boxes are required on all new water services.
2. All boxes in sidewalk area shall have a concrete lid with a cast-iron hinged read lid.
3. All boxes outside of sidewalk area (driveways etc.) will have a steel traffic rated lid.

PROCEDURE

1. Meters and meter boxes shall be purchased and installed by the property owner/developer in accordance with the City of Yreka Department of Public Works Standard Drawing for Water Service Connections, Y401.00.

The minimum box size for a 1" meter or smaller is 27 1/2" x 18".

A water meter box and box extension is required for the specified water meter depth of 24".

2. Department of Public Works staff shall inspect and approve all installations.
3. Water meter boxes may be purchased from the following suppliers:

SUPPLIERS:

	Company Name	Phone	Product Name / Product #	Size
1.	Cook Concrete Products 5461 Eastside Rd. PO Box 720280 Redding, CA 96099	530 / 243-2562	Cook Box #1.5 Cook Extension Cook Lid *Concrete w/cast iron hinged reading lid	28" x 18" 12"

	Company Name	Phone	Product Name / Product #	Size
2.	Ferguson Enterprises, Inc 965 Mason Wy Medford, OR 97501	866 / 861-7041	Christy Box B30 Christy Extension B30X12 Christy Lid B30G <small>*Concrete w/cast iron hinged reading lid</small>	27 1/2" x 18" 12"



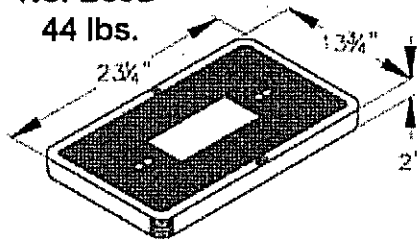
B30 UTILITY BOX 13-1/4" x 24-1/4"

- Etched polypropylene face
- Face anchored in concrete
- Ultra-violet inhibitor
- Exceeds ASTM-D1693 Standards for Environmental Stress Cracking Resistance

REINFORCED CONCRETE LID

No. B30D

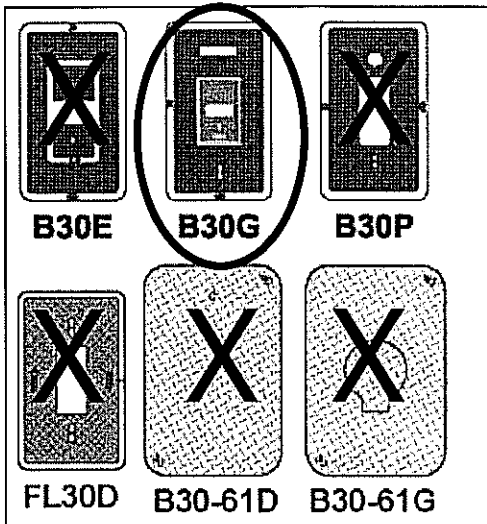
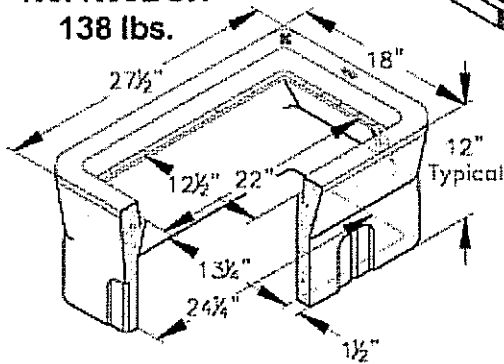
44 lbs.



UTILITY BOX

No. N30BOX

138 lbs.



A high density reinforced concrete box with non-settling shoulders positioned to maintain grade and facilitate back filling. Approximate dimensions and weight shown.

Ordering Code	Item	Approx. Shipping Weight	Description
★ N30BOX	BOX	138	N30 Utility Box (13 1/4" x 24 1/4") - 16 per pallet
B30D	LID	44	Reinforced concrete
FL30D	LID	20	Fibrelite lid, non-concrete
B30E	LID	56	Reinforced concrete with 7" x 13 1/2" concrete reading lid
★ B30G	LID	44	Reinforced concrete with 5" x 8" cast iron, self-closing, reading lid with frame
B30P	LID	45	Reinforced concrete with 1 3/4" hole for reading probe
B30-61D	COVER	38	Steel checker plate
B30-61G	COVER	38	Steel checker plate with 8" round, self-closing reading lid
★ B30X12	EXTENSION	116	12" Reinforced concrete - 16 per pallet
B30SL	SLAB	52	Reinforced concrete (16" x 28")

Galvanizing available on all steel covers

CITY OF YREKA WATER METER LID REQUIREMENTS

COOK CONCRETE PRODUCTS, INC.

—Precast—

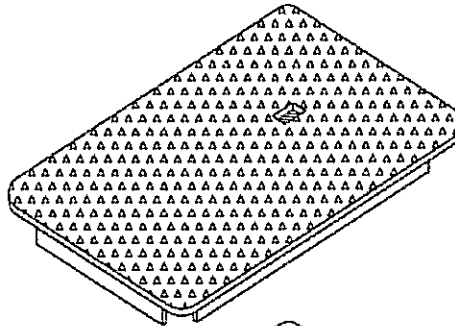


MANHOLE PIPE • DRAINAGE INLETS • STORM WATER/OIL INTERCEPTORS • UTILITY VAULTS & BOXES • CUSTOM PRECAST

(530) 243-2562
 FAX (530) 243-6881
 www.cookconcreteproducts.com
 e-mail:
 Info@cookconcreteproducts.com

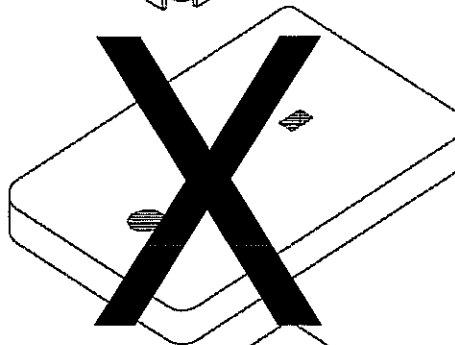
5461 EASTSIDE ROAD
 P.O. BOX 720280
 REDDING, CA 96099

REQUIRED
 WATER METER
 LID FOR ALL
 DRIVEWAYS.

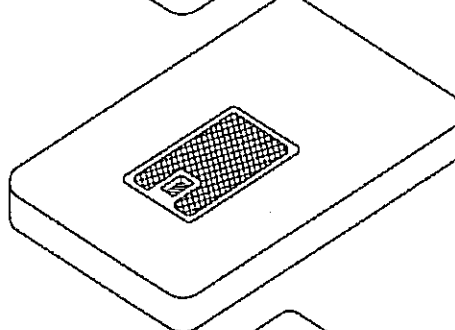


DIAMOND PLATE STEEL LID
 SUITABLE FOR LIGHT TRAFFIC
 AVAILABLE WITH OR WITHOUT
 HOLD DOWN BOLTS

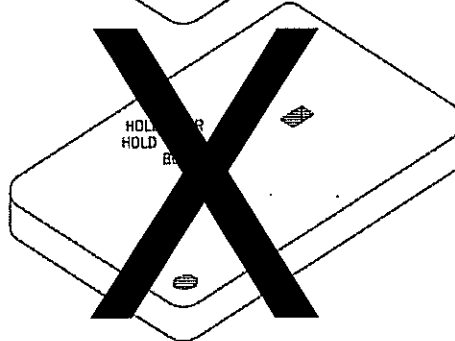
REQUIRED LID
 FOR ALL METER
 BOXES **NOT** IN
 DRIVEWAY.



CONCRETE LID WITH REMOTE
 READING PORT



CONCRETE LID WITH CAST
 IRON HINGED READING LID



SOLID CONCRETE LID
 AVAILABLE WITH OR WITHOUT
 HOLD DOWN BOLTS

LIDS WITH MARKINGS AS
 REQUIRED— I.E.:
 "WATER"
 "ELETRIC"
 "CAL TRANS SIGNAL"

TYPICAL COVER CONFIGURATIONS